

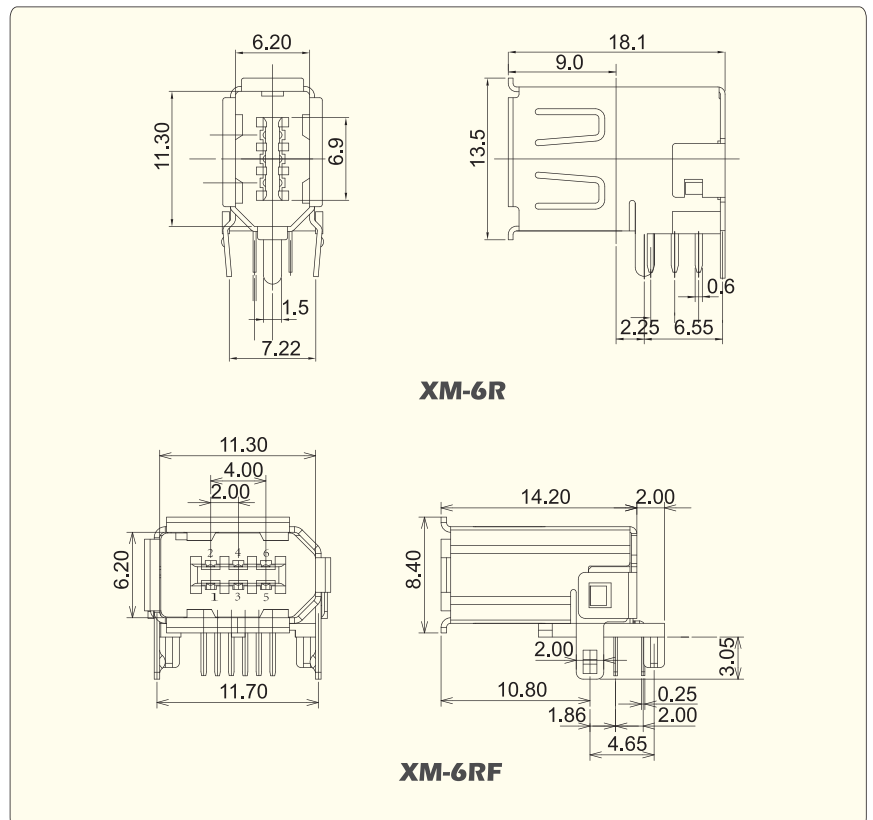
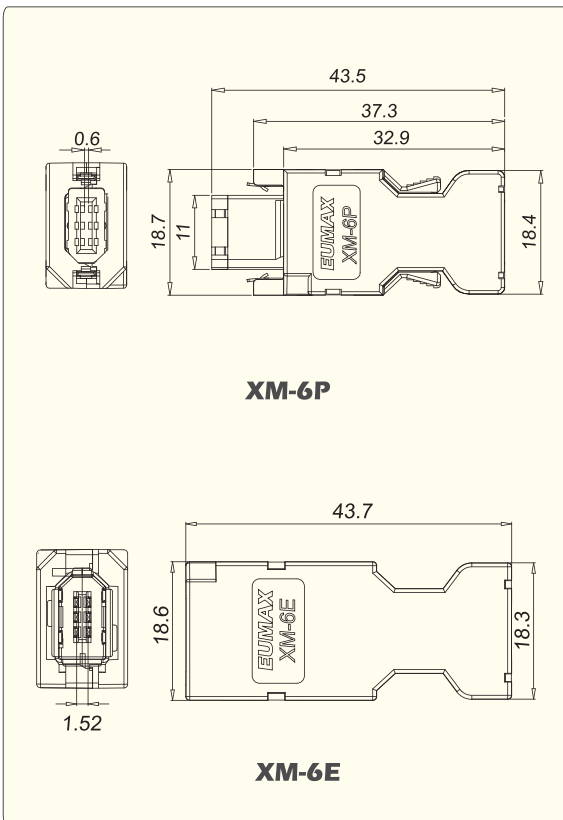


### 特點 Features

- 伺服驅動IEEE 1394 6芯信號連接器
- 提供二種插頭配套XM-6P和XM-6E
- 提供二種安裝插座XM-6R和XM-6RF
- 寬條狀鍍金觸點實現可靠的重複插拔,每芯可耐2A電流
- IEEE 1394 6 Poles connector for servo drives
- Supply plug kit XM-6P and XM-6E
- Supply R/A PCB receptacle XM-6R and XM-6RF
- Robust ribbon style gold-plated contact for reliable repetitive plugging up to 2A per pole

### 技術參數 Technical Data

型號	P/N	XM-6P	XM-6E	XM-6R	XM-6RF
替代品牌型號	Equivalent P/N (MOLEX)	55100-0670	54280-0609	53460-0629	53984-0671
額定電流/電壓	Rated Current / Voltage	2A/125vac Max.			
絕緣電阻	Insulation Resistance	1000MΩ at 500VDC			
絕緣耐壓	Withstanding Voltage	500VRMS for 1 minute			
工作溫度	Working Temperature	-40°C to +85°C			
焊接溫度	Soldering Temperature	360°C max for 10 sec. max			
觸點材料	Contact Material	銅鍍金 Gold-plated Copper Alloy			
殼體材質	Housing Material	PC+GF UL 94V-0			
金屬殼體	Metal Shell Material	銅鍍鎳 Nickel-plated Copper Alloy			
電纜尺寸	Applicable Wires	16~28AWG		PCB Mounting	





**XM-10P**



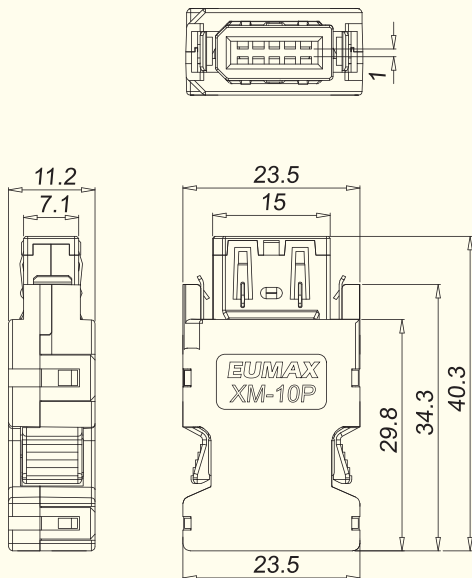
**XM-10R**

### 特點 Features

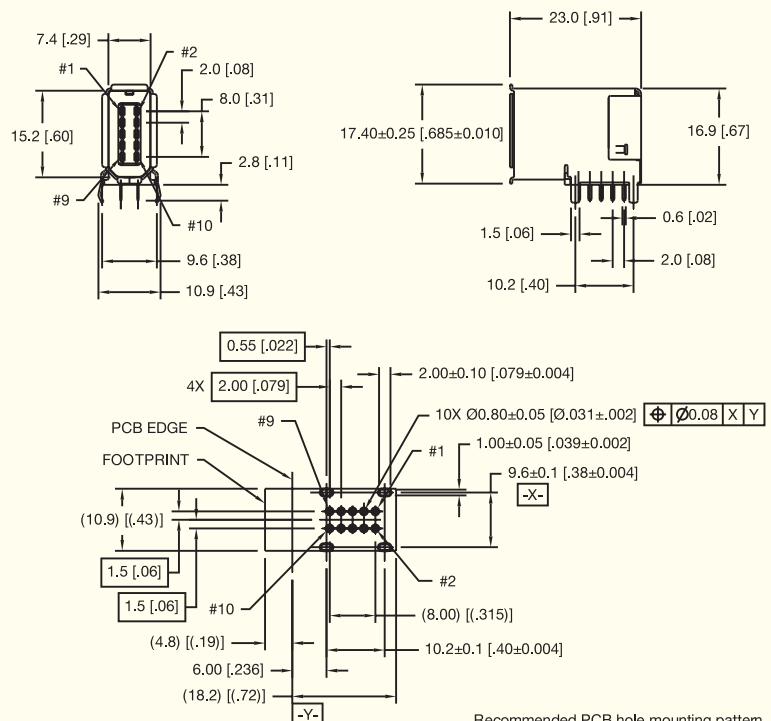
- 10芯信號連接器，可與SCR連接器完全相容
- 提供插頭配套 (XM-10P) 和R/A PCB安裝插座 (XM-10R)
- 寬條狀鍍金觸點實現可靠的重複插拔,每芯可耐2A電流
- 10 Poles connector fully compatible with SCR connector
- Supply plug kit (XM-10P) and R/A PCB receptacle (XM-10R)
- Robust ribbon style gold-plated contact for reliable repetitive plugging up to 2A per pole

### 技術參數 Technical Data

型號	P/N	XM-10P	XM-10R
替代品牌型號	Equivalent P/N	36210-0100PL + 36310-3200-008 (3M) 54599-1016 (MOLEX)	36110-2220PE(3M) 55445-1029 (MOLEX)
額定電流/電壓	Rated Current / Voltage	2A/125vac Max.	2A/125vac Max.
絕緣阻抗	Insulation Resistance	> 500MΩ @ 500VDC	> 500MΩ @ 500VDC
絕緣耐壓	Withstanding Voltage	500VRMS for 1 minute	500VRMS for 1 minute
工作溫度	Working Temperature	-40°C to +85°C	-40°C to +85°C
焊接溫度	Soldering Temperature	360°C max for 10 sec. max	360°C max for 10 sec. max
觸點材料	Contact Material	銅鍍金 Gold-plated Copper Alloy	銅鍍金 Gold-plated Copper Alloy
殼體材質	Housing Material	PC+GF UL 94V-0	PC+GF UL 94V-0
金屬殼體	Metal Shell Material	銅鍍鎳 Nickel-plated Copper Alloy	鋼鍍錫 Tin-plated steel
適用電纜	Applicable Wires	18~28AWG	PCB Mounting



**XM-10P**



**XM-10R**

Recommended PCB hole mounting pattern